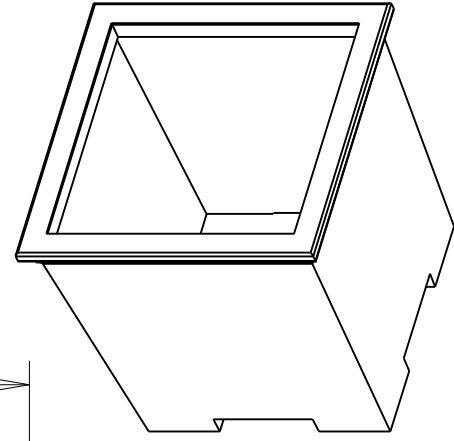
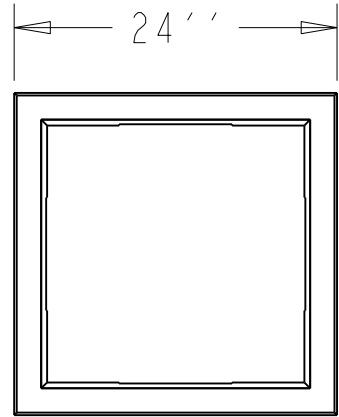


TerraCast[®]

PRODUCTS

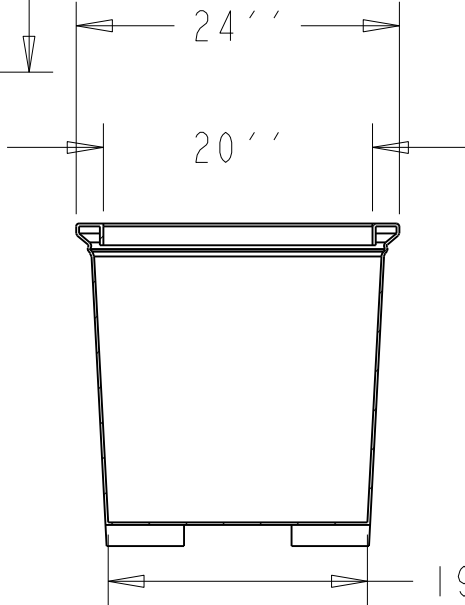
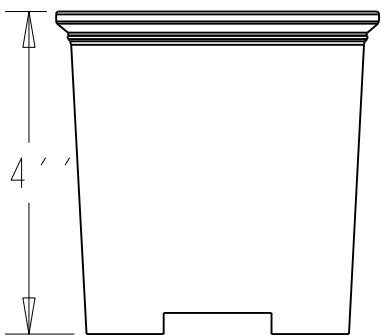
TerraCast[®] Products, LLC
 4400 NW 19th Avenue, Unit K
 Pompano Beach, FL 33064
 Office: 305-895-9525 x105
 Fax: 305-895-7879

REVISIONS				
REV	DESCRIPTION	ECN	DATE	APPROVED
XI	PRELIMINARY	----	-----	



SPECS AT A GLANCE

- TOP ID: 20''
- TOP OD: 24''
- BASE ID: 19''
- HEIGHT: 24''
- VOLUME: 40 GALLONS
- 5.25 FT³
- WEIGHT: 23LBS



DIMENSION UNITS		TerraCast[®] PRODUCTS		
inches	MATERIAL:	SCALE	DRAWN BY	
TOLERANCES (EXCEPT AS NOTED)		0.070	www.Terracastproducts.com	
XX = ±0.01	TITLE			I OF I
XXX = ±0.001	tce-5			
ANGULAR	DATE	PART #:	TCE-5	REV
±0.5	Nov-25-15	(A SIZE)		XI

This document contains TERRACAST PROPRIETARY INFORMATION. No intellectual property right or license is granted by TERRACAST in connection with it. It is delivered on the express condition that the document and the information contained in it shall be treated as confidential, shall not be used for and purpose other than that for which it is hereby delivered (the use and maintenance of the product supplied). It shall not be disclosed in whole or part to third parties and shall not be duplicated in any manner without TERRACAST's prior written consent.