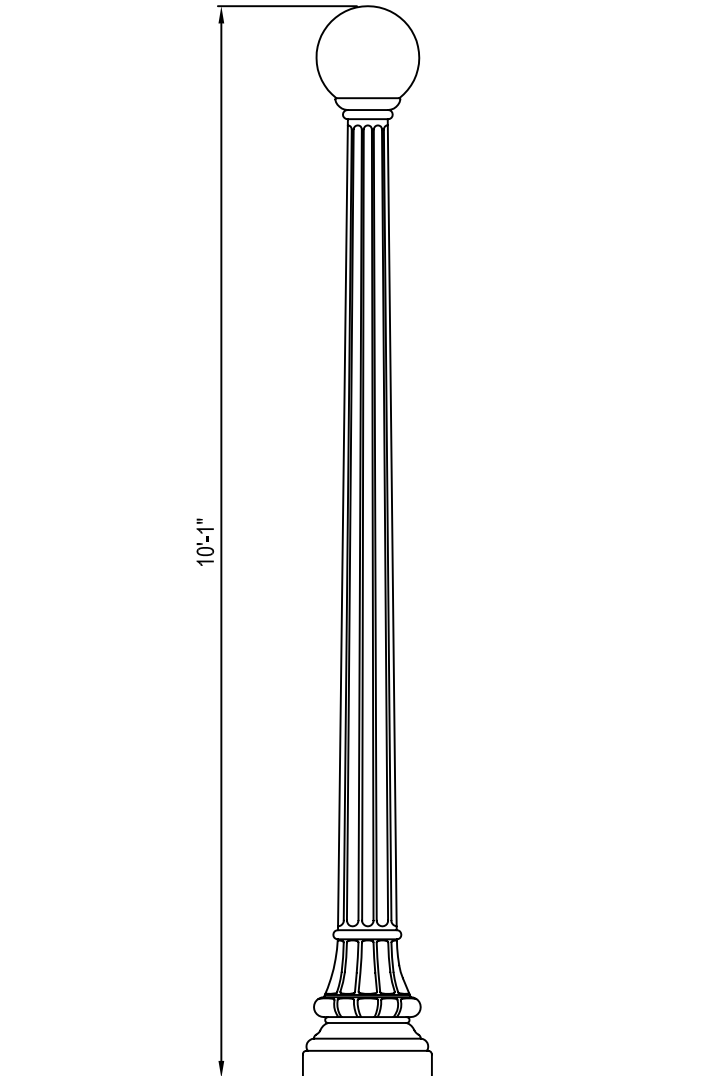


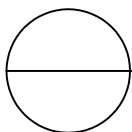
# Terracast PRODUCTS LLC.

TERRACAST PRODUCTS  
12700 BISCAYNE BLVD, #206  
NORTH MIAMI, FLORIDA, 33181  
PHONE: (305) 895-9525  
[www.terraccastproducts.com](http://www.terraccastproducts.com)



**NOTES:**

1. INSTALLATION TO BE COMPLETED IN ACCORDANCE WITH MANUFACTURER'S SPECIFICATIONS.
2. ALL DIMENSIONS ARE CONSIDERED TRUE AND REFLECT MANUFACTURER'S SPECIFICATIONS.
3. DO NOT SCALE DRAWING.
4. CONTRACTOR'S NOTE: FOR PRODUCT AND COMPANY INFORMATION VISIT [www.CADdetails.com/info](http://www.CADdetails.com/info) REFERENCE NUMBER 4197-022.



## WASHINGTON POST SERIES

WASHINGTON POST SERIES - W2 10'-1"