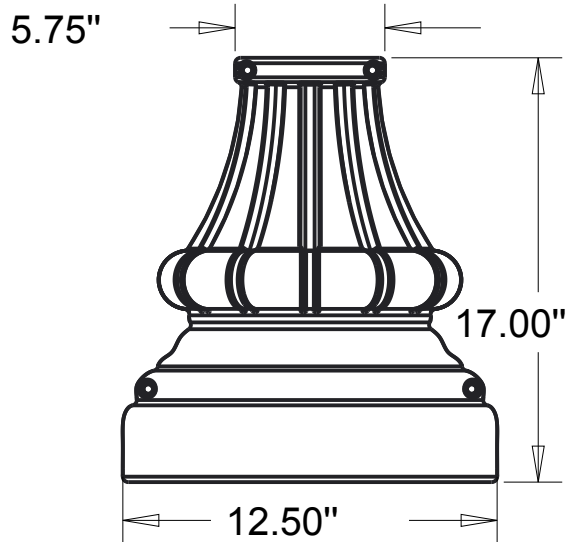
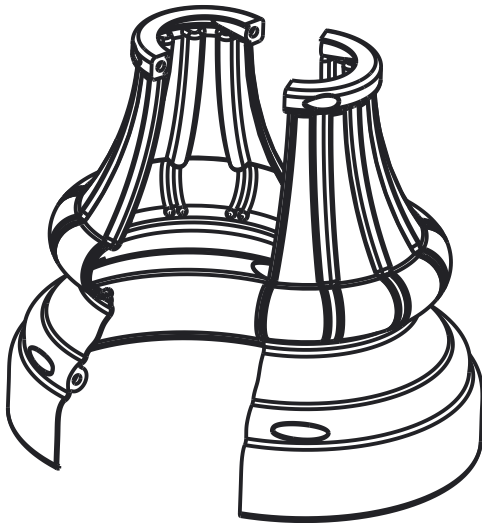
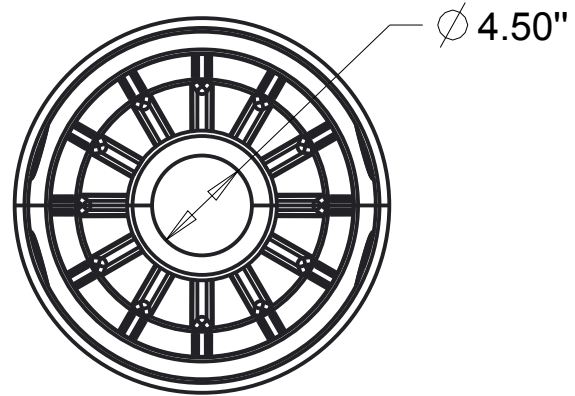


TerraCast[®]

P R O D U C T S

Cast Aluminum clam shell style decorative base for poles whose diameter does not exceed 4'. Bolts together at the top and bottom. Hardware provided



Churchill Clam Shell Base

The Churchill Clam Shell base is a two part decorative base made from Cast Aluminum. The base is powder coated to match any installations and can be retrofitted onto any pole whose diameter is 4' or smaller. All hardware for (4) Bolt pattern included.

NOTES:

1. INSTALLATION TO BE COMPLETED IN ACCORDANCE WITH MANUFACTURER'S SPECIFICATIONS.
2. ALL DIMENSIONS ARE CONSIDERED TRUE AND REFLECT MANUFACTURER'S SPECIFICATIONS.
3. DO NOT SCALE DRAWING.
4. HARDWARE IS SUPPLIED BY THE MANUFACTURER