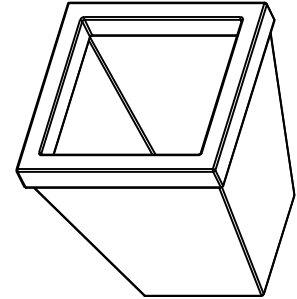
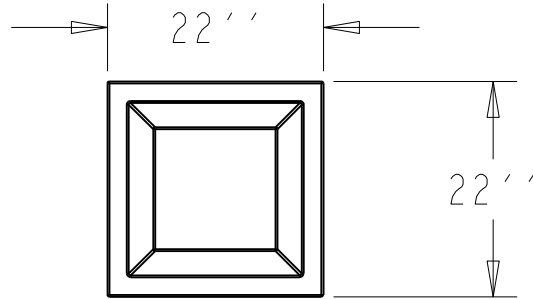


TerraCast® PRODUCTS

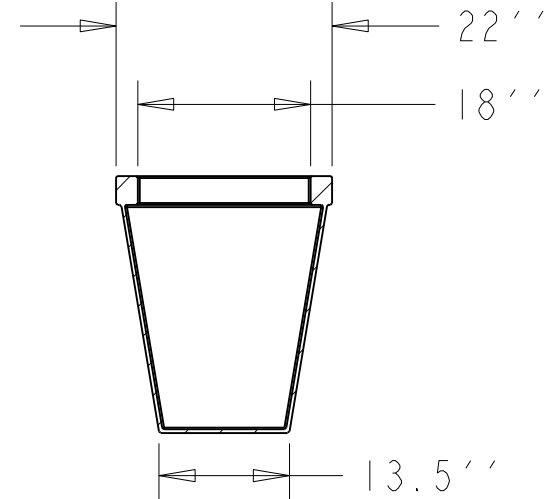
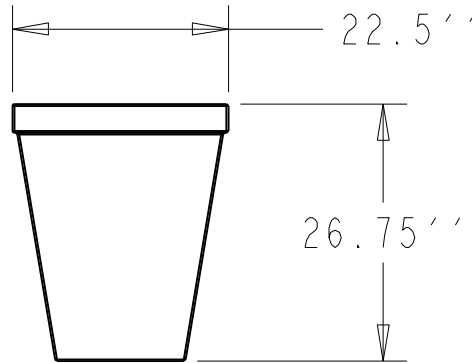
TerraCast® Products, LLC
4400 NW 19th Avenue, Unit K
Pompano Beach, FL 33064
Office: 305-895-9525 x105
Fax: 305-895-7879

REVISIONS				
REV	DESCRIPTION	ECN	DATE	APPROVED
XI	PRELIMINARY	----	-----	



Specs at A Glance:

- Top OD: 22.50"
- Top ID: 18.00"
- Base OD: 13.50"
- Volume: 4.35 Ft³
- Gallons: 32.75 gallons
- Height: 26.75"



This document contains TERRACAST PROPRIETARY INFORMATION. No intellectual property right or license is granted by TERRACAST in connection with it. It is delivered on the express condition that the document and the information contained in it shall be treated as confidential, shall not be used for and purpose other than that for which it is hereby delivered (the use and maintenance of the product supplied). It shall not be disclosed in whole or part to third parties and shall not be duplicated in any manner without TERRACAST's prior written consent.

DIMENSION UNITS		TerraCast® PRODUCTS		
INCHES	MATERIAL:	SCALE 0.050	DRAWN BY www.Terracastproducts.com	
TOLERANCES (EXCEPT AS NOTED)	TITLE TBR-22			I OF I
XX = ±0.01	DATE May-08-15			PART #: (A SIZE) BRICKELL-TBR-22
XXX = ±0.001				
ANGULAR ±0.5	REV XI			