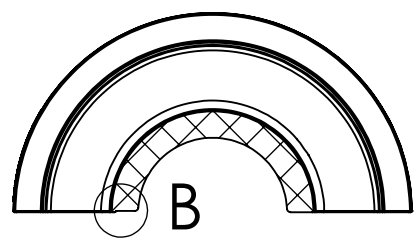
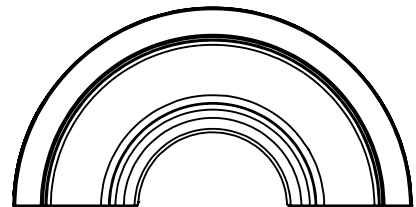
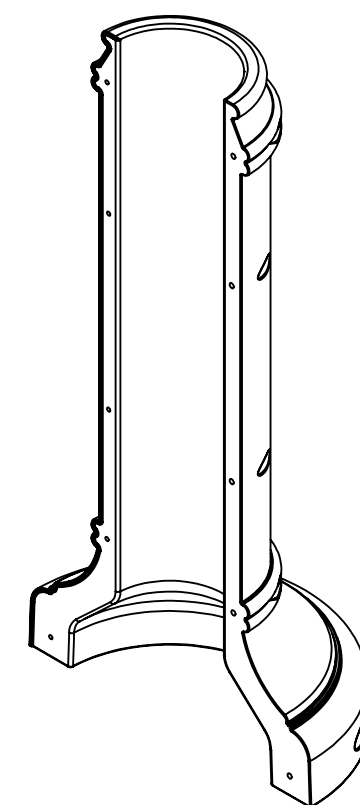


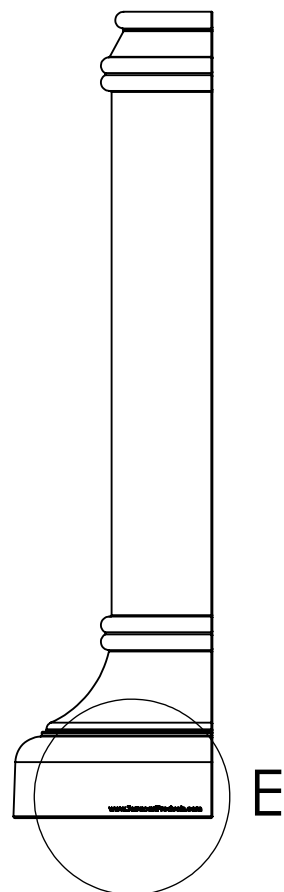
DETAIL B
SCALE 1 : 1



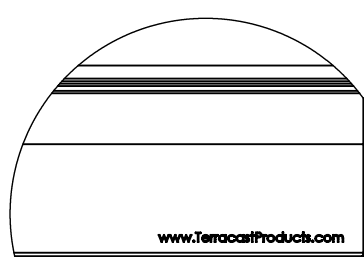
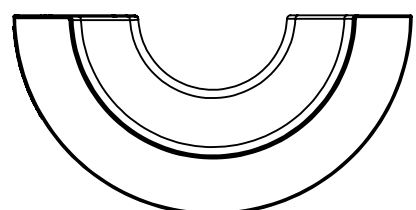
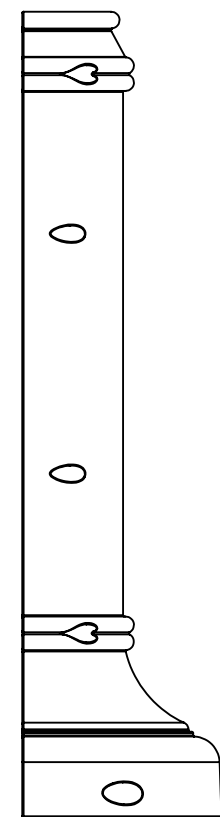
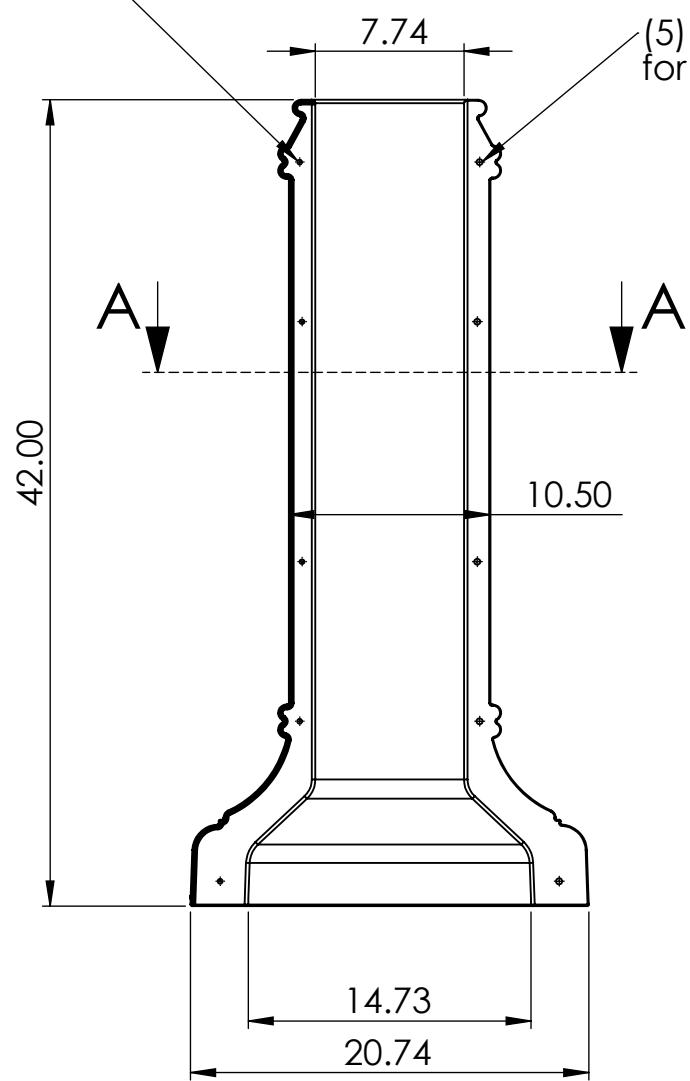
SECTION A-A



(5) 1/4-20 Tee-Nuts
(5) Thru Holes for 1/4-20 Bolts



E



DETAIL E
SCALE 1 : 5

TerraCast
PRODUCTS

PROPRIETARY AND CONFIDENTIAL
THE INFORMATION CONTAINED IN THIS DRAWING IS THE SOLE PROPERTY OF TERRACAST® PRODUCTS. ANY REPRODUCTION IN PART OR AS A WHOLE WITHOUT THE WRITTEN PERMISSION OF TERRACAST® PRODUCTS IS PROHIBITED.

		UNLESS OTHERWISE SPECIFIED:	NAME	DATE	TERRACAST® PRODUCTS	
		DIMENSIONS ARE IN INCHES	DRAWN	MGM	5/8/18	TITLE: Berkley
		TOLERANCES:	CHECKED			
		FRACTIONAL ±1.5%	ENG APPR.			
		TWO PLACE DECIMAL ±1.5%	MFG APPR.			
		THREE PLACE DECIMAL ±1.5%	Q.A.			SIZE DWG. NO. REV C Clam_Shell C
		INTERPRET GEOMETRIC TOLERANCING PER:	COMMENTS:			
NEXT ASSY	USED ON	MATERIAL				
		935 PE				
		FINISH				
		Black				
APPLICATION		DO NOT SCALE DRAWING	SCALE: 1:10 WEIGHT: SHEET 1 OF 2			

8

7

6

5

4

3

2

1

F

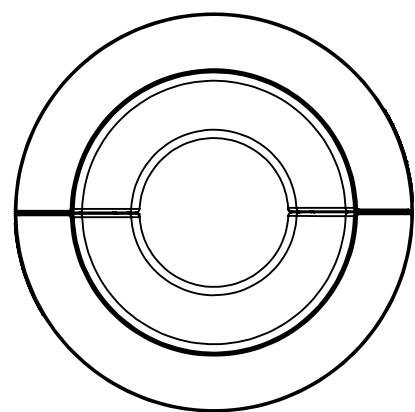
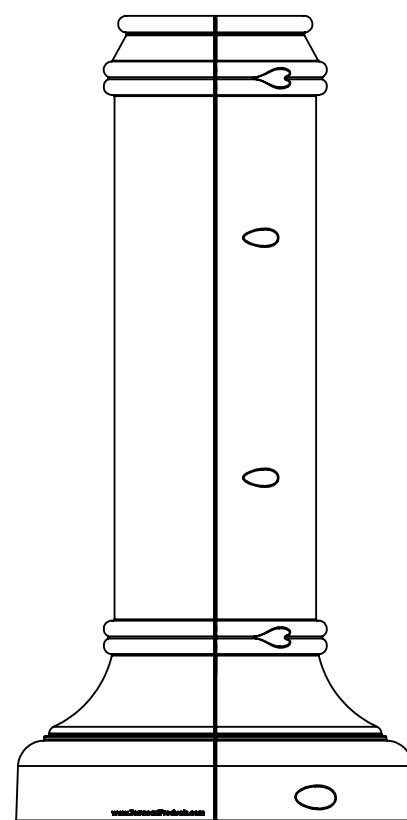
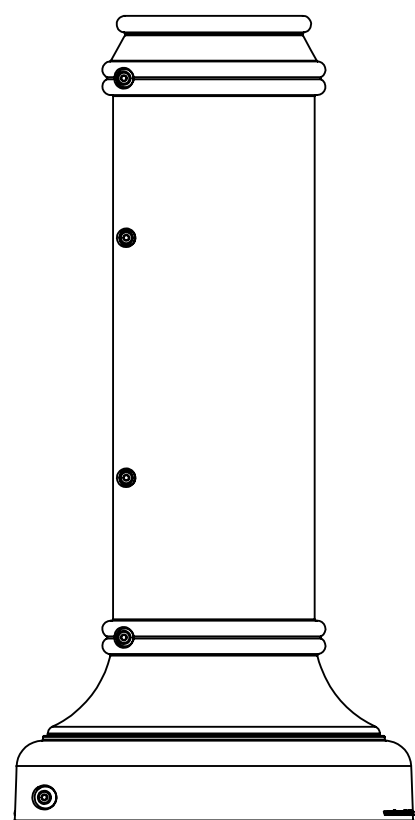
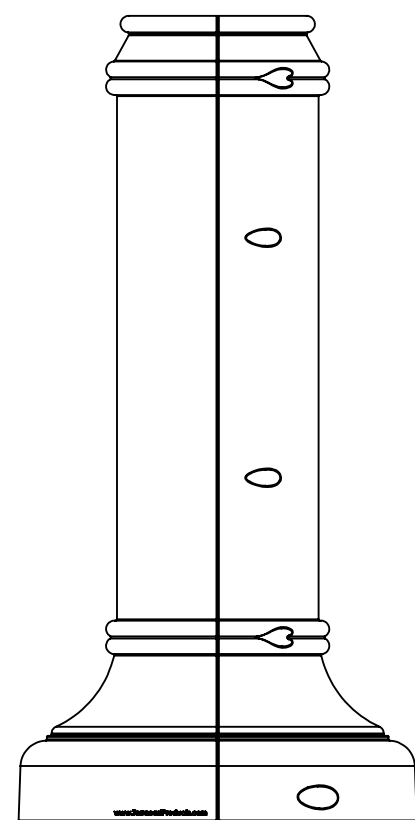
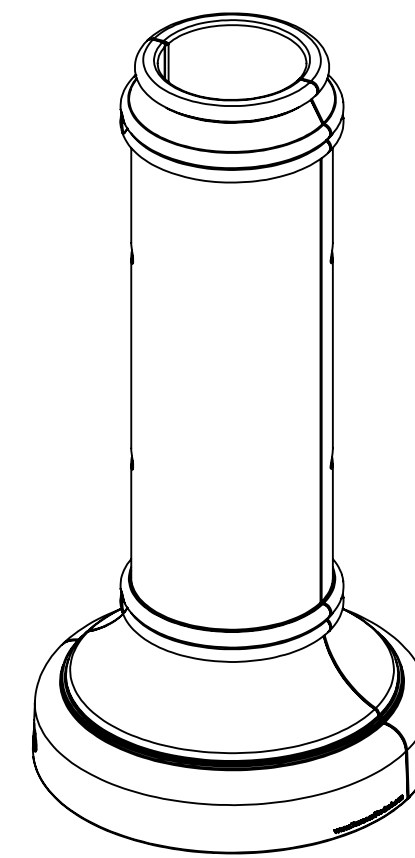
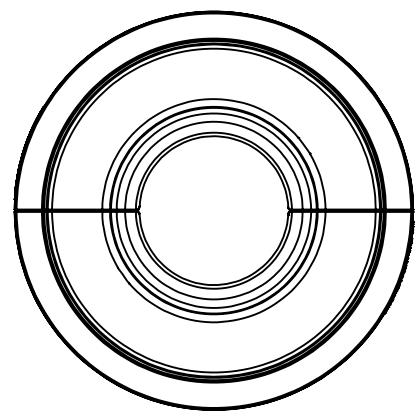
E

D

C

B

A



TerraCast[®]
PRODUCTS

PROPRIETARY AND CONFIDENTIAL
THE INFORMATION CONTAINED IN THIS DRAWING IS THE SOLE PROPERTY OF
TERRACAST® PRODUCTS. ANY REPRODUCTION IN PART OR AS A WHOLE
WITHOUT THE WRITTEN PERMISSION OF TERRACAST® PRODUCTS IS
PROHIBITED.

		UNLESS OTHERWISE SPECIFIED:		NAME	DATE	TERRACAST® PRODUCTS	
		DIMENSIONS ARE IN INCHES		DRAWN	MGM	4/26/18	TITLE: Berkley
		TOLERANCES:		CHECKED			
		FRACTIONAL ±1.5%		ENG APPR.			
		TWO PLACE DECIMAL ±1.5%		MFG APPR.			
		THREE PLACE DECIMAL ±1.5%		Q.A.			SIZE DWG. NO. REV C Clam_Shell
		INTERPRET GEOMETRIC TOLERANCING PER:		COMMENTS:			
		MATERIAL					SCALE: 1:10 WEIGHT: SHEET 2 OF 2
		935 PE					
		FINISH					
		Black					
NEXT ASSY	USED ON	APPLICATION					
		DO NOT SCALE DRAWING					

8

7

6

5

4

3

2

1