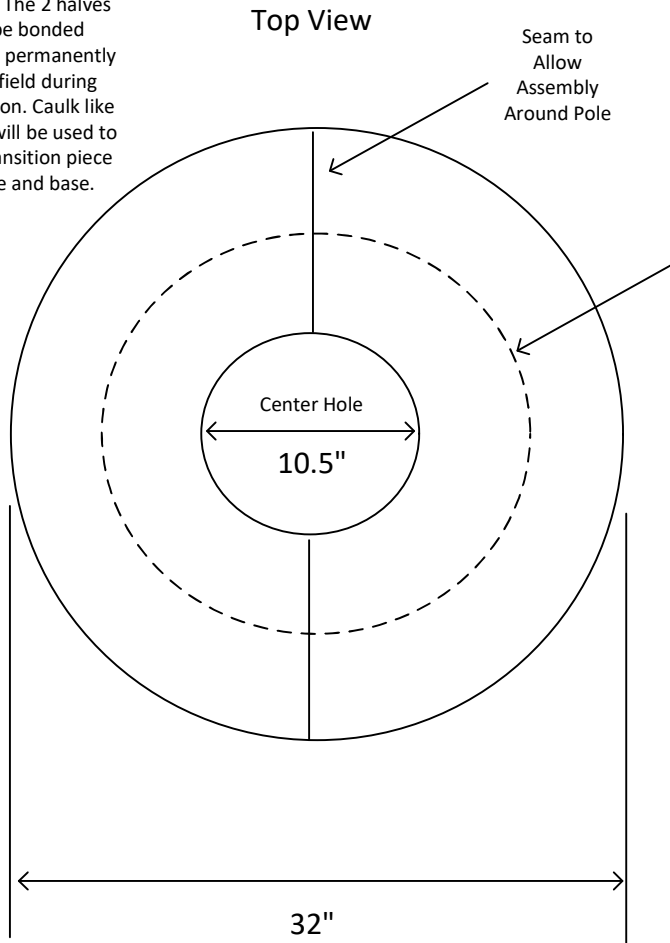


Mechanism to Align 2 Halves Together Required Such as Pegs/Holes or Internal Dove Joints (not shown). The 2 halves can be bonded together permanently in the field during installation. Caulk like sealant will be used to bond transition piece to pole and base.



Area Carved Out to Allow Space for Pole Base and Bolts (18 inches diameter x 3 inches height)

Side View

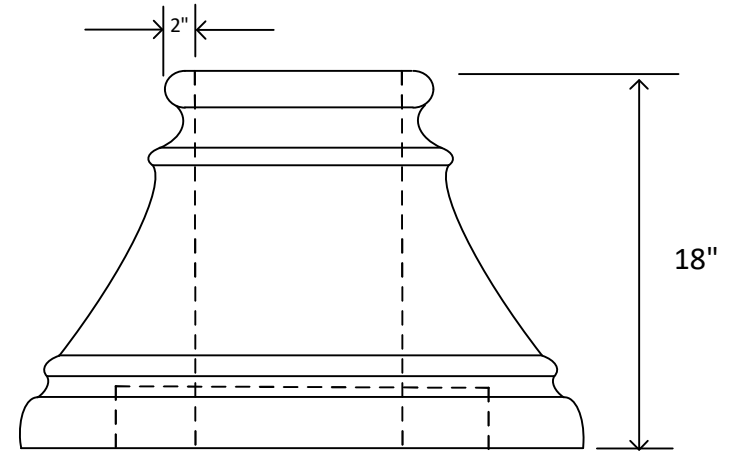


Photo Simulation Including Base and Pole



Base and Pole without Transition Piece

