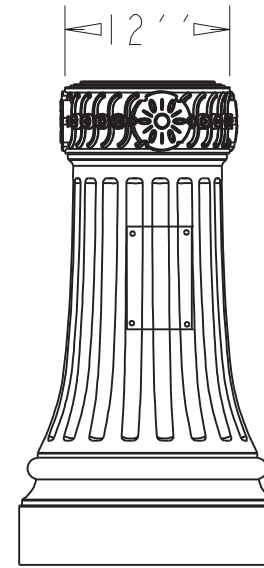
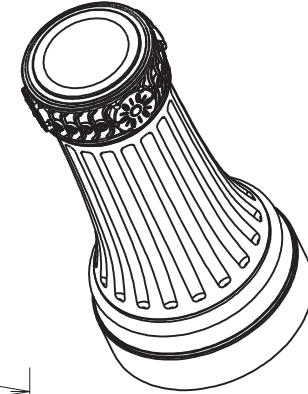
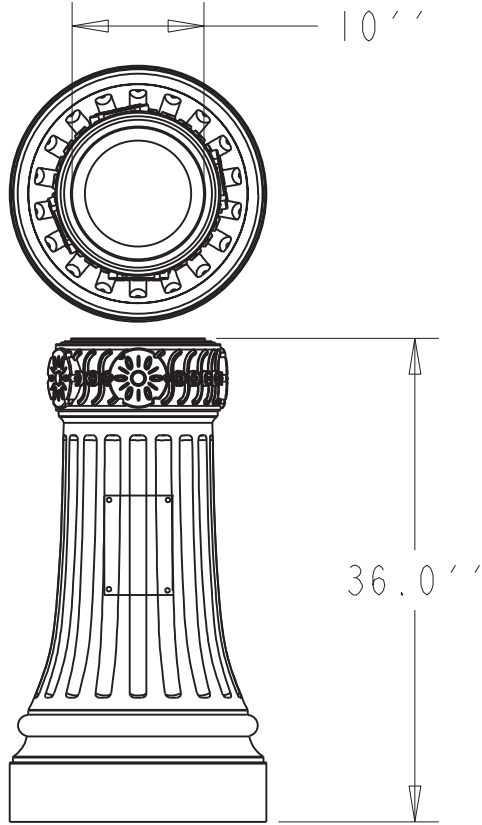


TerraCast[®]

PRODUCTS

TerraCast[®] Products, LLC
 4400 NW 19th Avenue, Unit K
 Pompano Beach, FL 33064
 Office: 305-895-9525

REVISIONS				
REV	DESCRIPTION	ECN	DATE	APPROVED
XI	PRELIMINARY	----	-----	



The large madison base will accomodate up to 10'' diameter poles

This document contains TERRACAST PROPRIETARY INFORMATION. No intellectual property right or license is granted by TERRACAST in connection with it. It is delivered on the express condition that the document and the information contained in it shall be treated as confidential, shall not be used for and purpose other than that for which it is hereby delivered (the use and maintenance of the product supplied). It shall not be disclosed in whole or part to third parties and shall not be duplicated in any manner without TERRACAST's prior written consent.

DIMENSION UNITS		TerraCast[®] PRODUCTS		
INCHES	MATERIAL: RESIN	SCALE: 0.059	DRAWN BY	
TOLERANCES (EXCEPT AS NOTED)	TITLE: LARGE MADISON			I OF I
XX = ±0.01	DATE: Sep-07-16			REV: XI
XXX = ±0.001				
ANGULAR ±0.5	PART #: (A SIZE) TC-MAD36 -/1			