

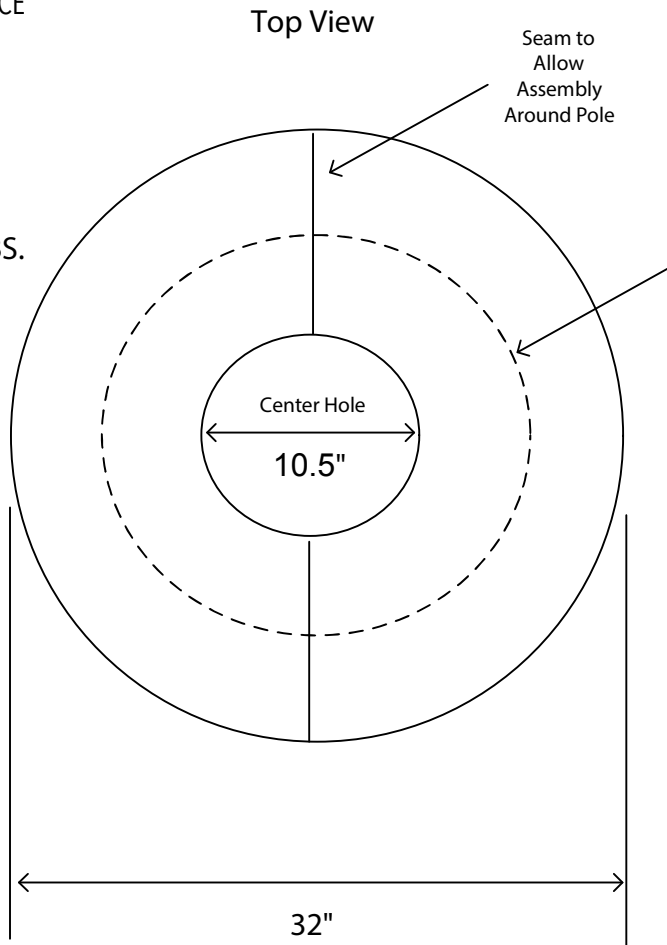
TerraCast[®]

PRODUCTS

TERRACAST PRODUCTS LLC
 4400 NW 19TH AVENUE, UNIT K
 POMPANO BEACH, FL 33064
 305-895-9525
 INFO@TERRACASTPRODUCTS.COM

SPECS AT A GLANCE

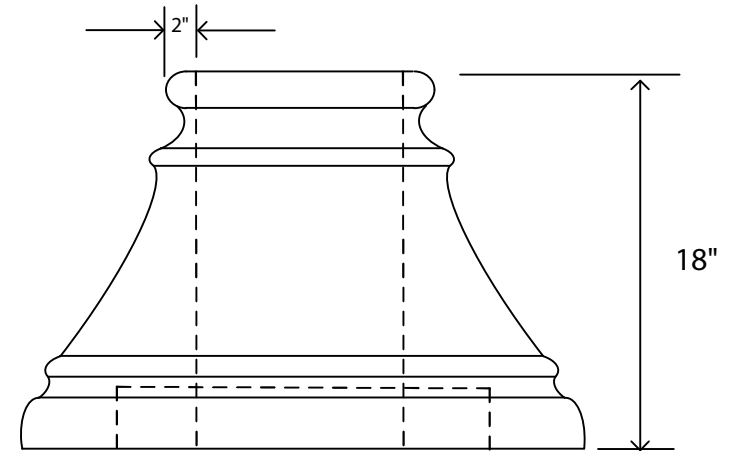
TOP ID: 10.5"
 TOP OD: 13"
 BASE ID: 10.5"
 BASE OD: 32"
 HEIGHT: 18"
 WEIGHT: 19 LBS.



Mechanism to Align 2 Halves Together Required Such as Pegs/Holes or Internal Dove Joints (not shown). The 2 halves can be bonded together permanently in the field during installation. Caulk like sealant will be used to bond transition piece to pole and base.

Area Carved Out to Allow Space for Pole Base and Bolts (18 inches diameter x 3 inches height)

Side View



This document contains TERRACAST[®] PROPRIETARY INFORMATION. No intellectual property right or license is granted by TERRACAST[®] in connection with it. It is delivered on the express condition that the document and the information contained in it shall be treated as confidential, shall not be used for and purpose other than that for which it is hereby delivered (the use and maintenance of the product supplied). It shall not be disclosed in whole or part to third parties and shall not be duplicated in any manner without TERRACAST[®]'s prior written consent.

TerraCast[®] PRODUCTS				
TITLE BOARDWALK BASE				
PART# TC-BOR18			DRAWN KT	
SIZE	MATERIAL LLDPE RESIN	DWG NO	DATE 03-02-20	REV
SCALE	WEIGHT	SHEET 1/1		