

2

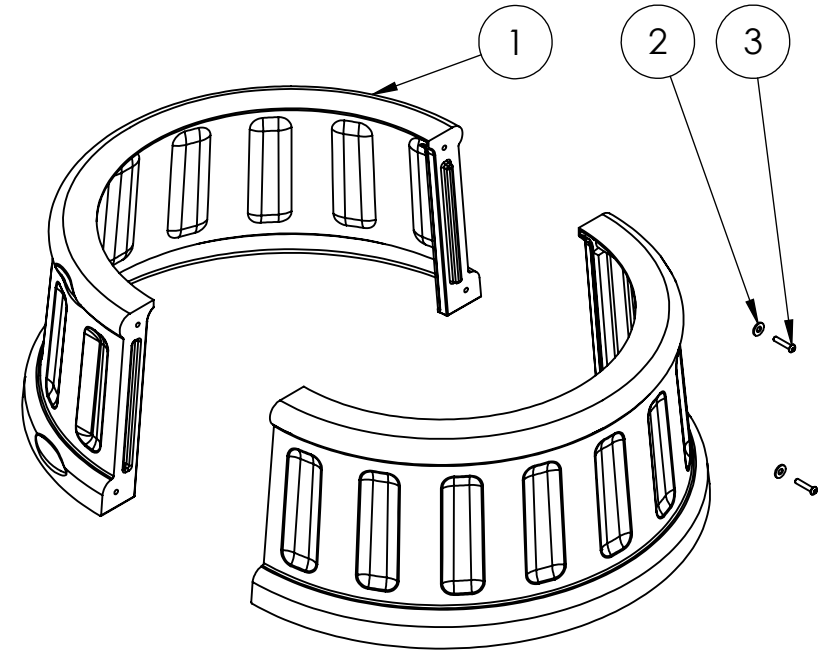
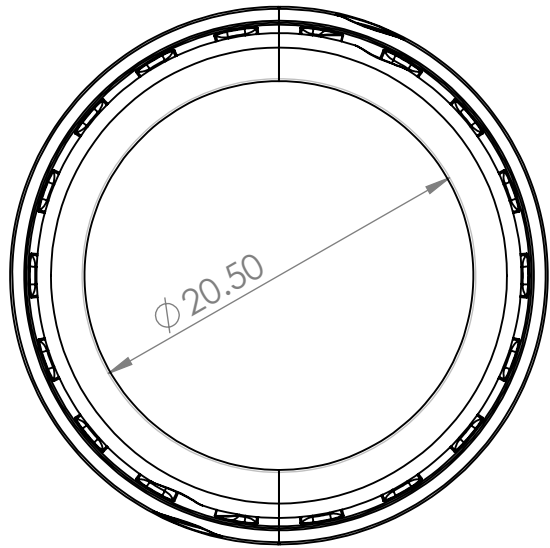
1

SPECS AT A GLANCE

ASSEMBLED WEIGHT: 12.8 Lbs.
 TOP ID: UP TO 20.5"
 TOP OD: 25.25"
 BASE ID: 23"
 BASE OD: 28"
 HEIGHT: 11.88"

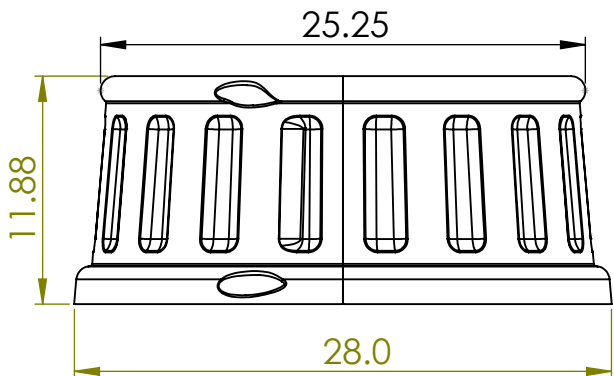
ITEM NO.	PART NUMBER	DESCRIPTION	QTY.
1	NOLA Base		2
2	Preferred Wide FW 0.25		4
3	SBHCSCREW 0.25-20x1.25-HX-N		4

B



B

A



A

	NAME	DATE
DRAWN	JGC	03/23/2020
CHECKED		
ENG APPR.		
MFG APPR.		
Q.A.		

TerraCast[®]
 PRODUCTS
 4400 NW 19th Avenue, Unit K, Pompano Beach, FL 33064
 info@terraccastproducts.com p: 305.895.9525
 www.terraccastproducts.com

PROPRIETARY AND CONFIDENTIAL
 THE INFORMATION CONTAINED IN THIS DRAWING IS THE SOLE PROPERTY OF TerraCast Products, LLC. ANY REPRODUCTION IN PART OR AS A WHOLE WITHOUT THE WRITTEN PERMISSION OF TerraCast Products, LLC IS PROHIBITED.

UNLESS OTHERWISE SPECIFIED: DIMENSIONS ARE IN INCHES
 All measurements are rounded to the closest quarter inch and may not be exact due to manufacturing variances.

MATERIAL	LLDPE Resin
FINISH	
SCALE:	1:10
	DO NOT SCALE DRAWING

COMMENTS:	
SIZE	A
TITLE:	NOLA Base-Assembly
REV	C

2

1