

2

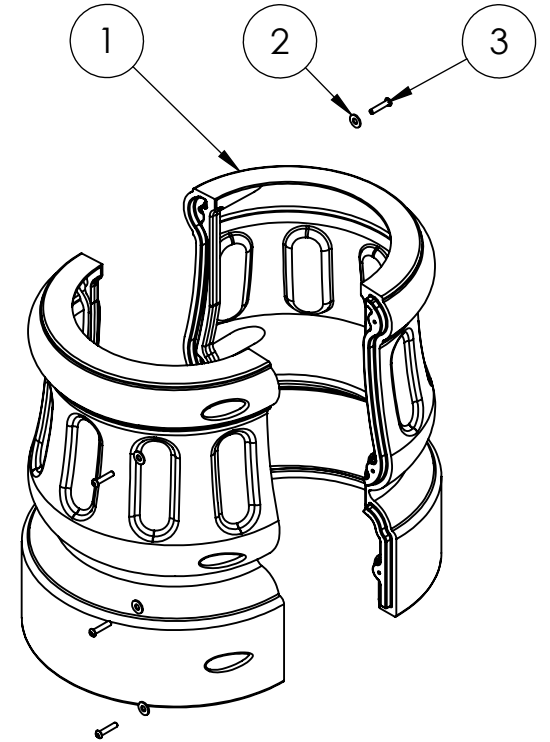
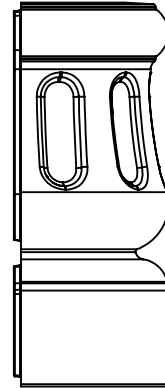
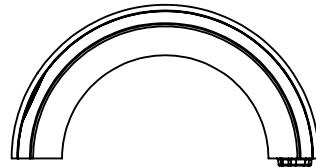
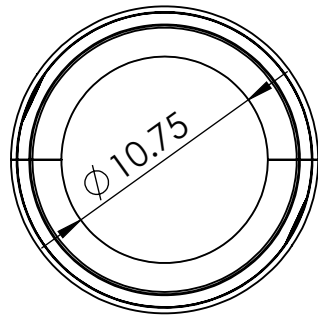
1

SPECS AT A GLANCE

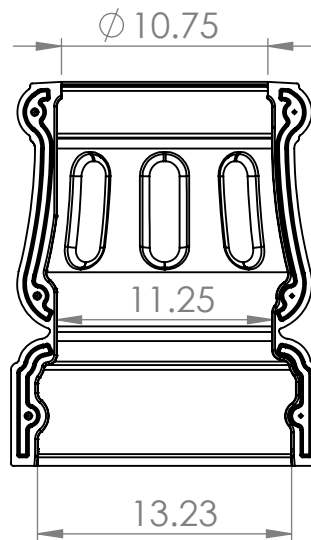
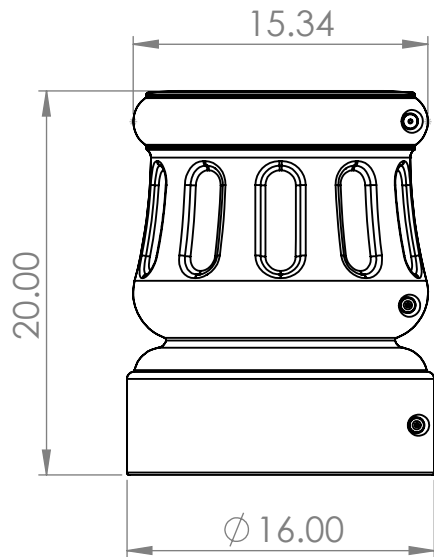
ASSEMBLED WEIGHT: 11.4 Lbs.
 TOP ID: 10.75"
 TOP OD: 15.34"
 BASE ID: 13.23"
 BASE OD: 16"
 HEIGHT: 20"

| ITEM NO. | PART NUMBER | DESCRIPTION | QTY. |
|----------|-----------------------------|-------------|------|
| 1 | SARASOTA BASE | | 2 |
| 2 | Preferred Wide FW 0.25 | | 6 |
| 3 | SBHCSCREW 0.25-20x1.25-HX-N | | 6 |

B



B



A

| | NAME | DATE |
|-----------|------|------------|
| DRAWN | JGC | 03/23/2020 |
| CHECKED | | |
| ENG APPR. | | |
| MFG APPR. | | |
| Q.A. | | |
| COMMENTS: | | |

TerraCast[®]
 PRODUCTS
 4400 NW 19th Avenue, Unit K, Pompano Beach, FL 33064
 info@terracastproducts.com p: 305.895.9525
 www.terracastproducts.com

A

PROPRIETARY AND CONFIDENTIAL
 THE INFORMATION CONTAINED IN THIS DRAWING IS THE SOLE PROPERTY OF TerraCast Products, LLC. ANY REPRODUCTION IN PART OR AS A WHOLE WITHOUT THE WRITTEN PERMISSION OF TerraCast Products, LLC IS PROHIBITED.

UNLESS OTHERWISE SPECIFIED: DIMENSIONS ARE IN INCHES
 All measurements are rounded to the closest quarter inch and may not be exact due to manufacturing variances.

MATERIAL: LLDPE Resin
 FINISH:
 SCALE: 1:10
 DO NOT SCALE DRAWING

SIZE A

TITLE: SARASOTA BASE - Assembly

REV C

2

1