

2

1

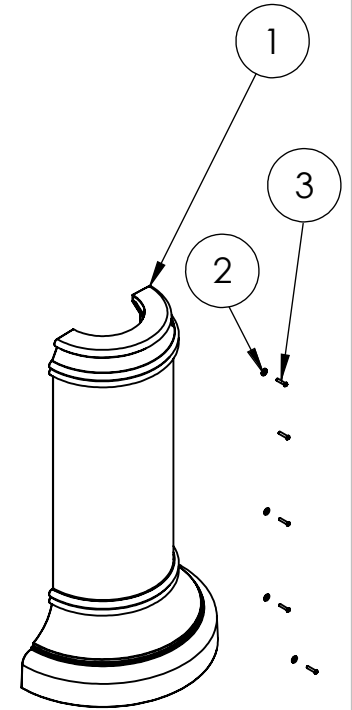
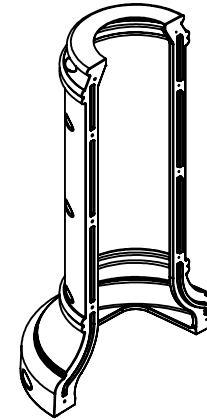
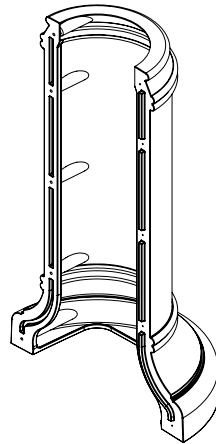
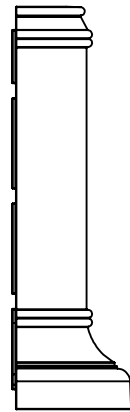
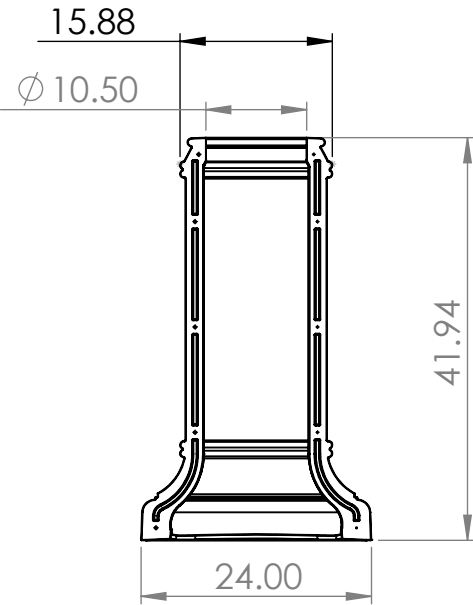
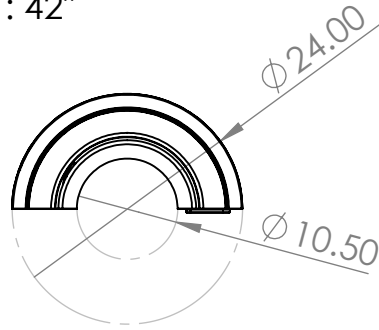
SPECS AT A GLANCE

ASSEMBLED WEIGHT: 26.5 Lbs.
 TOP ID: UP TO 10.5"
 TOP OD: 15.875"
 BASE OD: 24"
 HEIGHT: 42"

ITEM NO.	PART NUMBER	DESCRIPTION	QTY.
1	Berkley		2
2	Preferred Wide FW 0.25		10
3	SBHCSCREW 0.25-20x1.25-HX-N		10

THIS BASE CAN ACCEPT POLES WITH UP TO 10.5" OD.

B



B

A

A

	NAME	DATE
DRAWN	JGC	04/06/2020
CHECKED		
ENG APPR.		
MFG APPR.		
Q.A.		
COMMENTS:		

TerraCast[®]
 PRODUCTS

4400 NW 19th Avenue, Unit K, Pompano Beach, FL 33064
 info@terraCastproducts.com p: 305.895.9525
 www.terraCastproducts.com

PROPRIETARY AND CONFIDENTIAL
 THE INFORMATION CONTAINED IN THIS DRAWING IS THE SOLE PROPERTY OF TerraCast Products, LLC. ANY REPRODUCTION IN PART OR AS A WHOLE WITHOUT THE WRITTEN PERMISSION OF TerraCast Products, LLC IS PROHIBITED.

UNLESS OTHERWISE SPECIFIED: DIMENSIONS ARE IN INCHES

 All measurements are rounded to the closest quarter inch and may not be exact due to manufacturing variances.

MATERIAL: LLDPE Resin
 FINISH:
 SCALE: 1:20
 DO NOT SCALE DRAWING

SIZE
A

TITLE: **Large Berkley Assembly**

REV
A

2

1