

TerraCast[®]

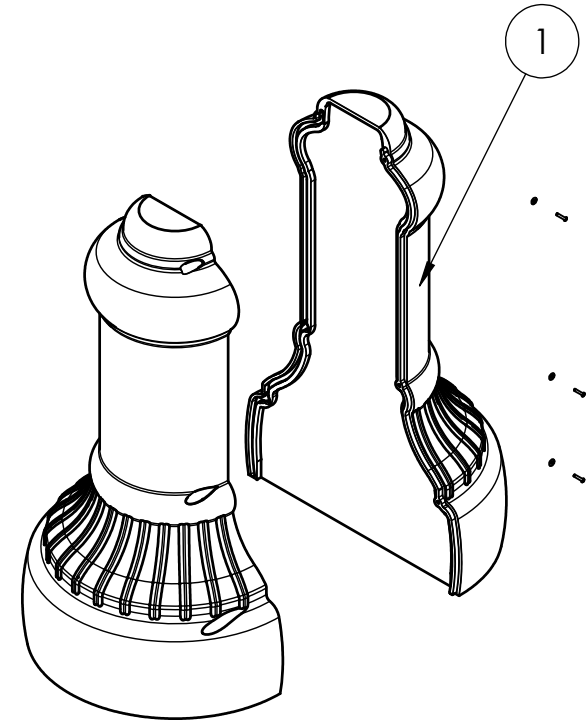
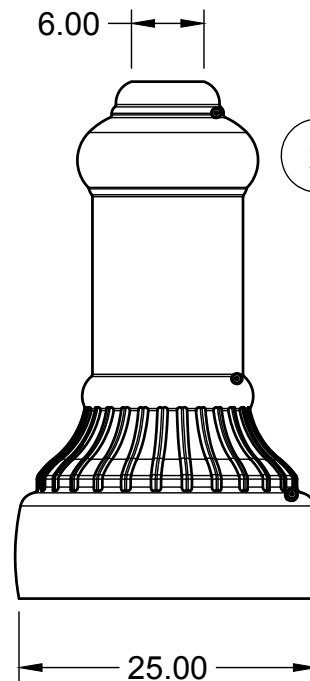
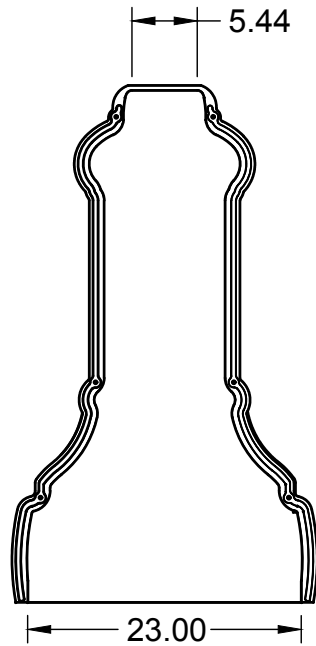
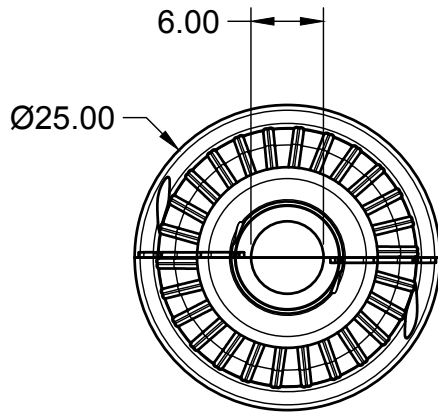
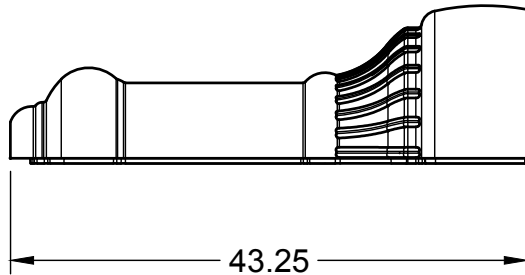
PRODUCTS

TERRACAST PRODUCTS LLC
 4400 NW 19TH AVENUE, UNIT K
 POMPANO BEACH, FL 33064
 305-895-9525
 INFO@TERRACASTPRODUCTS.COM

SPECS AT A GLANCE

TOP ID: Up to 6"
 TOP OD: 6.25"
 BASE ID: 23"
 BASE OD: 25"
 HEIGHT: 43.25"
 WEIGHT: 20 LBS

Includes Hardware
 Stainless Steel Screws
 1/4-20 x 1-1/4"
 QTY: 6



ITEM NO.	PART NUMBER	DESCRIPTION	QTY.
1	KEEGO HARBOR TC-KHB43		1
2	Screw 0.25-20x1.25-HX-N	Powder Coated	6

DO NOT SCALE DRAWINGS.
 All measurements are rounded to the closest quarter inch and may not be exact due to manufacturing variances.
 This document contains TERRACAST[®] PROPRIETARY INFORMATION. No intellectual property right or license is granted by TERRACAST[®] in connection with it. It is delivered on the express condition that the document and the information contained in it shall be treated as confidential, shall not be used for and purpose other than that for which it is hereby delivered (the use and maintenance of the product supplied). It shall not be disclosed in whole or part to third parties and shall not be duplicated in any manner without TERRACAST[®]'s prior written consent.

TerraCast[®] PRODUCTS				
TITLE Keego Harbor Base				
PART# TC-KHB43			DRAWN KT	
SIZE A	MATERIAL LLDPE Resin	DWG NO	DATE 05-09-22	REV
SCALE 1:16		WEIGHT	SHEET 1/1	