

2

1

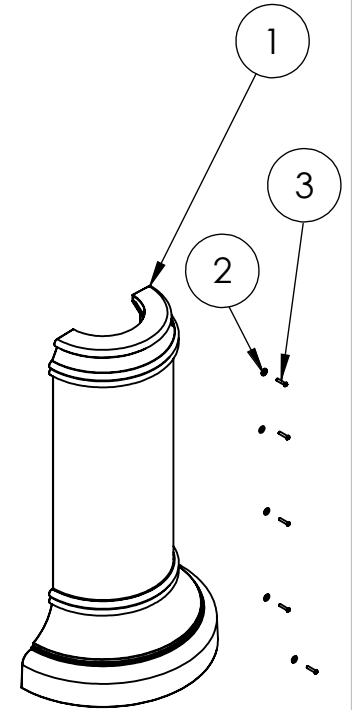
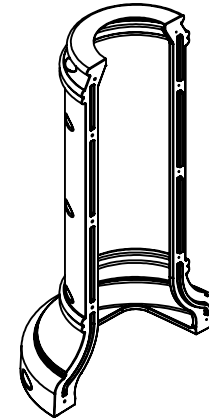
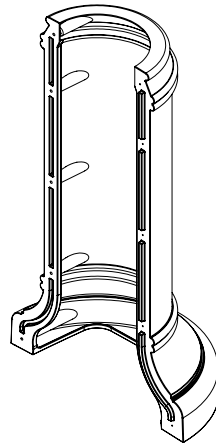
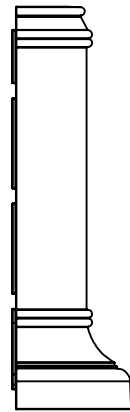
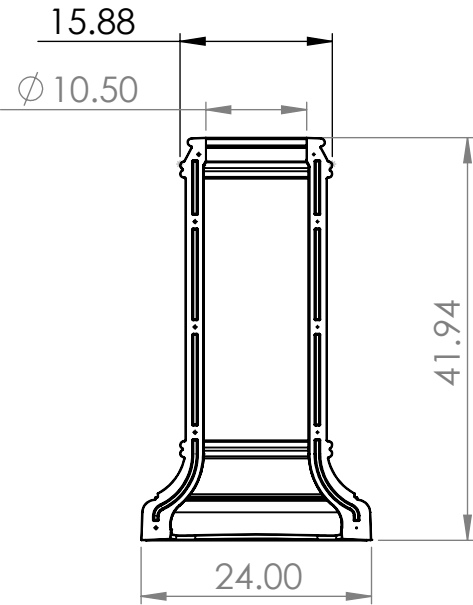
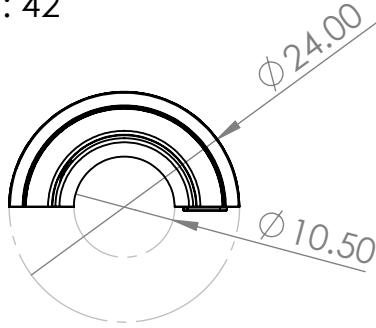
SPECS AT A GLANCE

ASSEMBLED WEIGHT: 26.5 Lbs.  
 TOP ID: UP TO 10.5"  
 TOP OD: 15.875"  
 BASE OD: 24"  
 HEIGHT: 42"

ITEM NO.	PART NUMBER	DESCRIPTION	QTY.
1	Berkley		2
2	Preferred Wide FW 0.25		10
3	SBHCSCREW 0.25-20x1.25-HX-N		10

THIS BASE CAN ACCEPT POLES WITH UP TO 10.5" OD.

B



B

A

A

	NAME	DATE
DRAWN	JGC	04/06/2020
CHECKED		
ENG APPR.		
MFG APPR.		
Q.A.		
COMMENTS:		

**TerraCast**<sup>®</sup>  
 PRODUCTS

4400 NW 19th Avenue, Unit K, Pompano Beach, FL 33064  
 info@terraCastproducts.com p: 305.895.9525  
 www.terraCastproducts.com

PROPRIETARY AND CONFIDENTIAL  
 THE INFORMATION CONTAINED IN THIS DRAWING IS THE SOLE PROPERTY OF TerraCast Products, LLC. ANY REPRODUCTION IN PART OR AS A WHOLE WITHOUT THE WRITTEN PERMISSION OF TerraCast Products, LLC IS PROHIBITED.

UNLESS OTHERWISE SPECIFIED: DIMENSIONS ARE IN INCHES  
  
 All measurements are rounded to the closest quarter inch and may not be exact due to manufacturing variances.

MATERIAL LLDPE Resin

FINISH  
 SCALE: 1:20  
 DO NOT SCALE DRAWING

SIZE A

TITLE: Large Berkley Assembly

REV A

2

1