

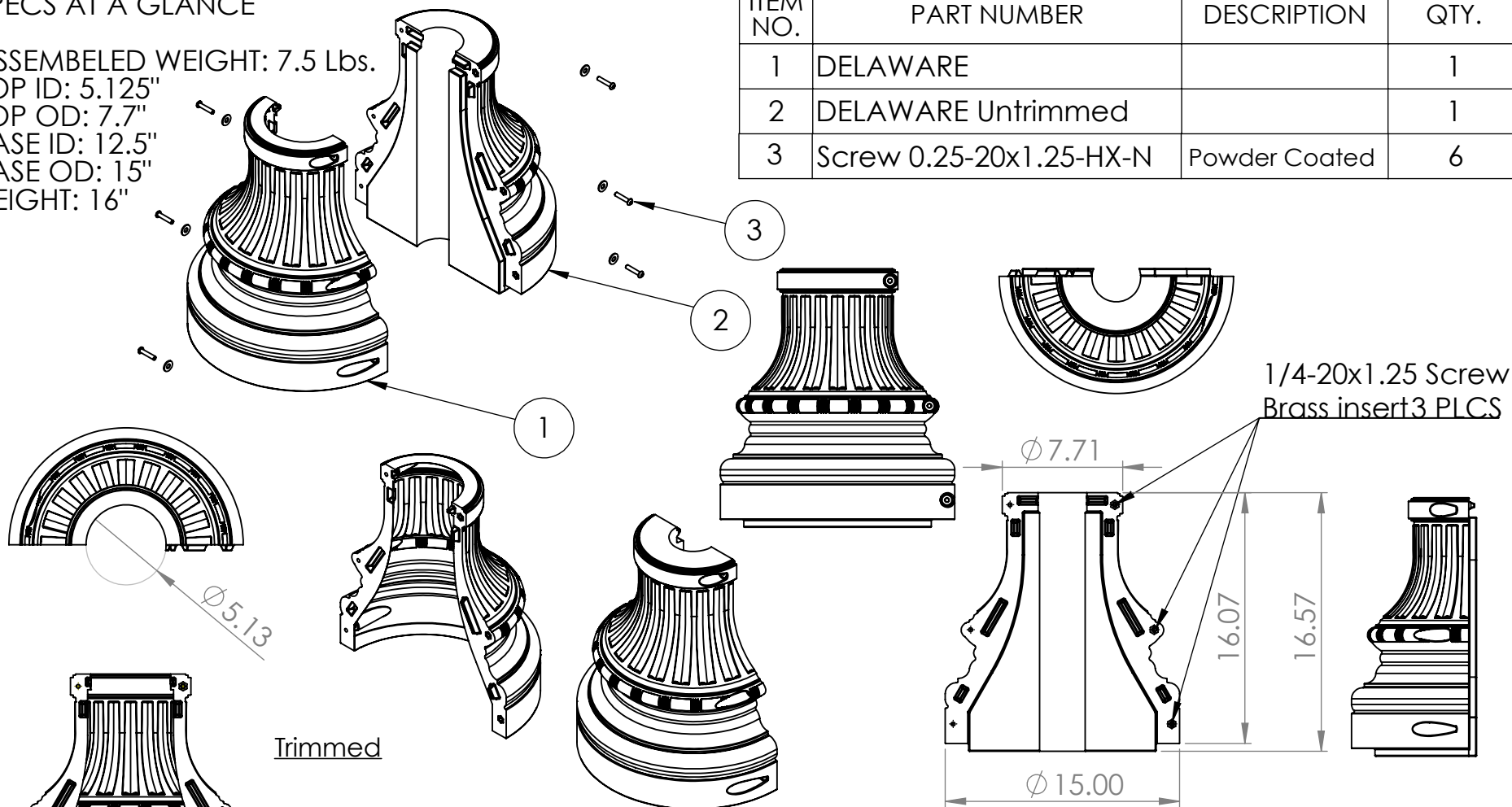
SPECS AT A GLANCE

ASSEMBLED WEIGHT: 7.5 Lbs.
 TOP ID: 5.125"
 TOP OD: 7.7"
 BASE ID: 12.5"
 BASE OD: 15"
 HEIGHT: 16"

ITEM NO.	PART NUMBER	DESCRIPTION	QTY.
1	DELAWARE		1
2	DELAWARE Untrimmed		1
3	Screw 0.25-20x1.25-HX-N	Powder Coated	6

B

B



A

A

Trimmed

Untrimmed

THIS BASE CAN ACCEPT POLES WITH UP TO 5" OD.

	NAME	DATE
DRAWN	JGC	03/23/2020
CHECKED		
ENG APPR.		
MFG APPR.		
Q.A.		
COMMENTS:		

TerraCast[®]
 PRODUCTS

4400 NW 19th Avenue, Unit K, Pompano Beach, FL 33064
 info@terraCastproducts.com p: 305.895.9525
 www.terraCastproducts.com

PROPRIETARY AND CONFIDENTIAL
 THE INFORMATION CONTAINED IN THIS DRAWING IS THE SOLE PROPERTY OF TerraCast Products, LLC. ANY REPRODUCTION IN PART OR AS A WHOLE WITHOUT THE WRITTEN PERMISSION OF TerraCast Products, LLC IS PROHIBITED.

UNLESS OTHERWISE SPECIFIED: DIMENSIONS ARE IN INCHES

All measurements are rounded to the closest quarter inch and may not be exact due to manufacturing variances.

MATERIAL
 LLDPE Resin

FINISH
 SCALE: 1:20
 DO NOT SCALE DRAWING

SIZE
A

TITLE: **SMALL DELAWARE Assembly**

REV
B