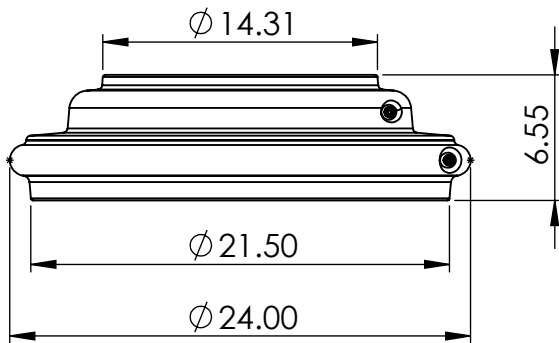
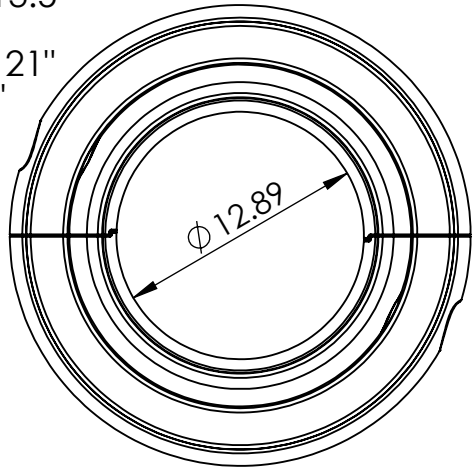


2

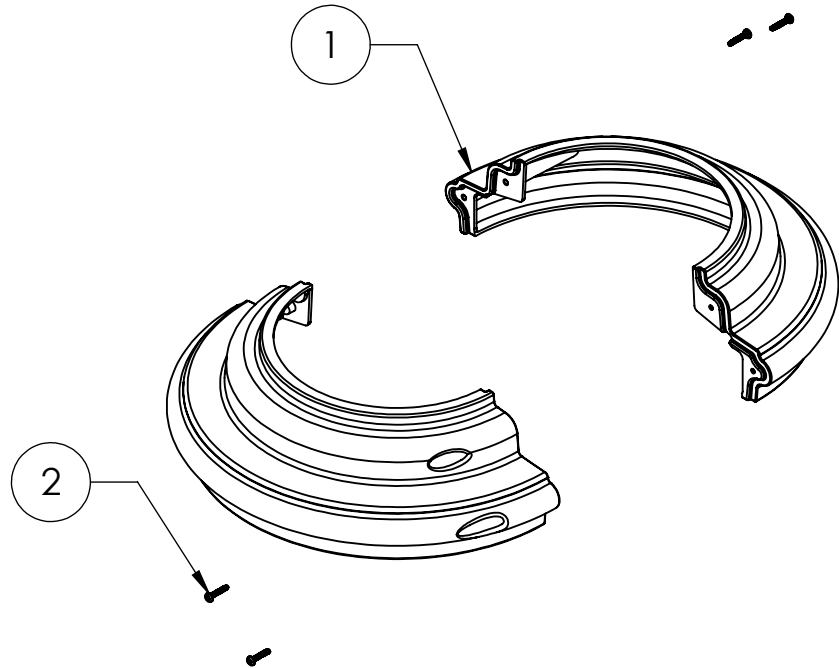
1

SPECS AT A GLANCE

ASSEMBLED WEIGHT: 5.4 Lbs.
 TOP ID: Up to 13.5"
 TOP OD: 14.31"
 BASE ID: Up to 21"
 BASE OD: 21.5"
 HEIGHT: 6.5"



ITEM NO.	PART NUMBER	DESCRIPTION	QTY.
1	TRANSITION COLLAR		2
2	SBHCSCREW 0.25-20x1.25-HX-N		4



B

B

A

A

PROPRIETARY AND CONFIDENTIAL
 THE INFORMATION CONTAINED IN THIS
 DRAWING IS THE SOLE PROPERTY OF
 TERRACAST PRODUCTS. ANY
 REPRODUCTION IN PART OR AS A WHOLE
 WITHOUT THE WRITTEN PERMISSION OF
 TERRACAST PRODUCTS IS PROHIBITED.

UNLESS OTHERWISE SPECIFIED:
 DIMENSIONS ARE IN INCHES
 TOLERANCES:
 FRACTIONAL ±
 ANGULAR: MACH ± BEND ±
 TWO PLACE DECIMAL ±
 THREE PLACE DECIMAL ±
 INTERPRET GEOMETRIC
 TOLERANCING PER:

MATERIAL

 FINISH

SCALE: 1:10
 DO NOT SCALE DRAWING

	NAME	DATE
DRAWN	GPS	4/6/22
CHECKED		
ENG APPR.		
MFG APPR.		
Q.A.		
COMMENTS:		

TerraCast[®]
 PRODUCTS

4400 NW 19th Avenue, Unit K, Pompano Beach, FL 33064
 info@terraCastproducts.com p: 305.895.9525
 www.terraCastproducts.com

SIZE A	TITLE: Denver Collar	REV
------------------	--------------------------------	-----

2

1