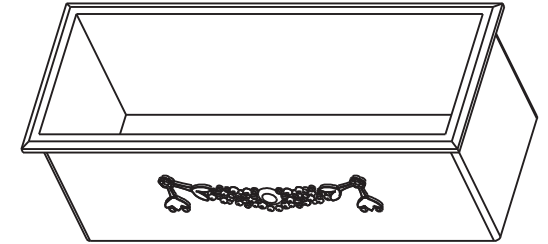
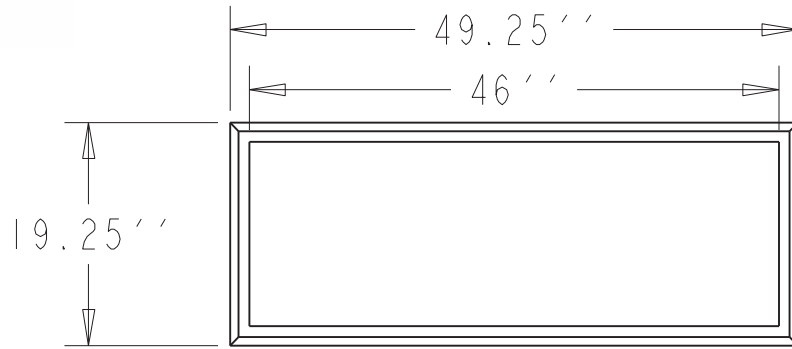


# TerraCast<sup>®</sup>

## PRODUCTS

TERRACAST PRODUCTS LLC  
 4400 NW 19TH AVENUE, UNIT K  
 POMPANO BEACH, FL 33064  
 OFFICE: 305-895-9525 X105  
 FAX: 305-400-0547

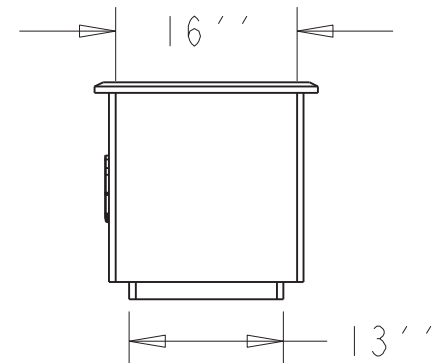
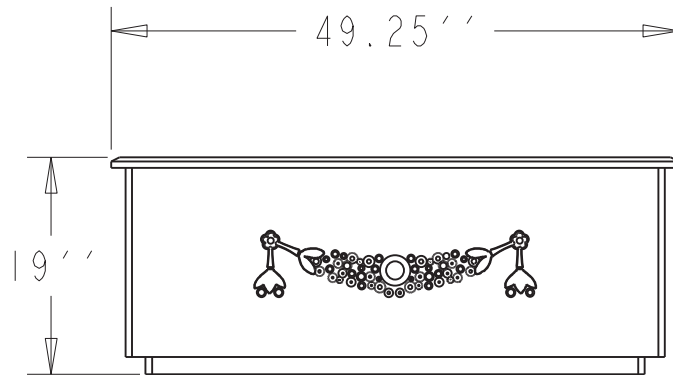


### SPECS AT A GLANCE

Outside Length 49.25''  
 Outside Width 19.25''  
 Height 19''

VOLUME: 57 GALLONS  
 7.5 FT<sup>3</sup>

WEIGHT: 33 LBS



DO NOT SCALE DRAWING.

All measurements are rounded to the closest quarter inch and may not be exact due to manufacturing variances.

This document contains TERRACAST PROPRIETARY INFORMATION. No intellectual property right or license is granted by TERRACAST in connection with it. It is delivered on the express condition that the document and the information contained in it shall be treated as confidential, shall not be used for and purpose other than that for which it is hereby delivered (the use and maintenance of the product supplied). It shall not be disclosed in whole or part to third parties and shall not be duplicated in any manner without TERRACAST's prior written consent.

<b>TerraCast<sup>®</sup></b> PRODUCTS			
MATERIAL: LLDPE RESIN	SCALE 0.050	DRAWN BY TERRACAST	
TITLE TCR-1			I OF I
DATE Nov-25-15	PART #: (A SIZE)	TCR-1	REV XI