

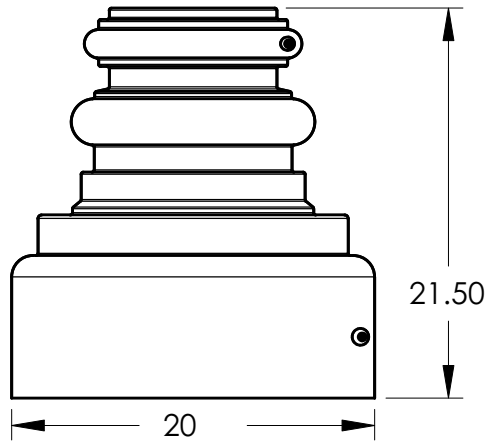
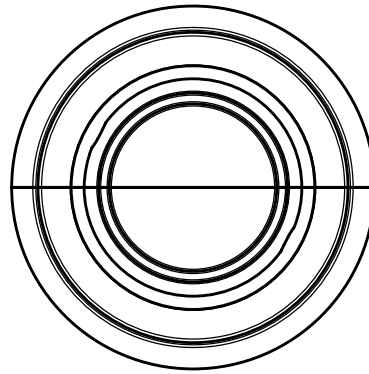
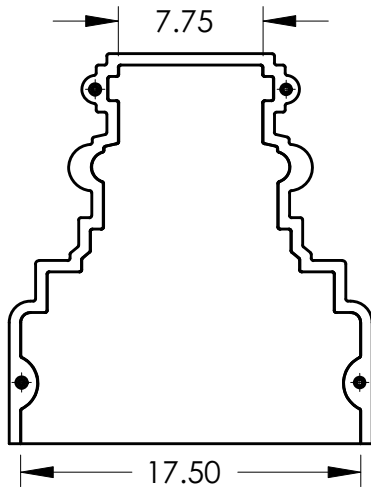
# TerraCast<sup>®</sup>

## PRODUCTS

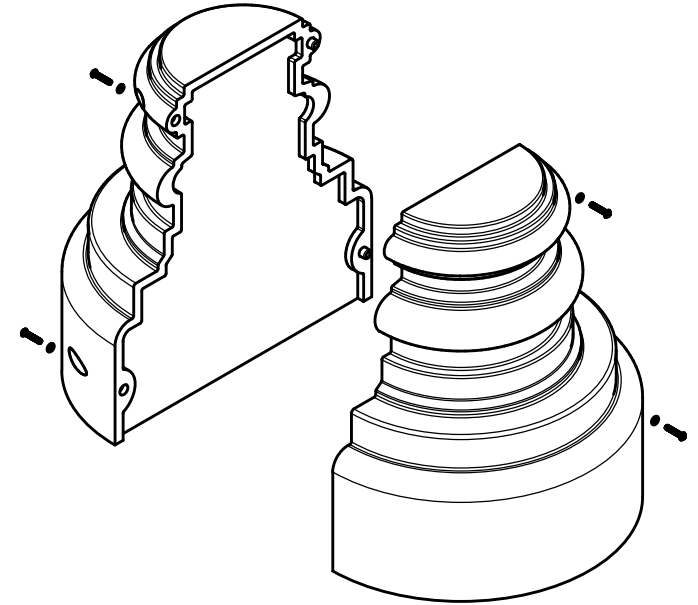
TERRACAST PRODUCTS LLC  
 4400 NW 19TH AVENUE, UNIT K  
 POMPANO BEACH, FL 33064  
 305-895-9525  
 INFO@TERRACASTPRODUCTS.COM

### SPECS AT A GLANCE

TOP ID: UP TO 7.75"  
 TOP OD: 9"  
 BASE ID: 17.50"  
 BASE OD: 20"  
 HEIGHT: 21.50"  
 WEIGHT: 11 LBS



| ITEM NO. | PART NUMBER             | DESCRIPTION  | QTY. |
|----------|-------------------------|--------------|------|
| 1        | TC-KCM21                | KC Base Half | 2    |
| 2        | Screw 0.25-20x1.25-HX-N |              | 4    |



DO NOT SCALE DRAWINGS.

All measurements are rounded to the closest quarter inch and may not be exact due to manufacturing variances.

This document contains TERRACAST<sup>®</sup> PROPRIETARY INFORMATION. No intellectual property right or license is granted by TERRACAST<sup>®</sup> in connection with it. It is delivered on the express condition that the document and the information contained in it shall be treated as confidential, shall not be used for and purpose other than that for which it is hereby delivered (the use and maintenance of the product supplied). It shall not be disclosed in whole or part to third parties and shall not be duplicated in any manner without TERRACAST<sup>®</sup>'s prior written consent.

**TerraCast<sup>®</sup>**  
 PRODUCTS

TITLE

**KC Base Small**

PART# TC-KCM21

DRAWN  
 KT

| SIZE | MATERIAL    | DWG NO | DATE     | REV |
|------|-------------|--------|----------|-----|
|      | LLDPE Resin |        | 04-20-26 |     |

|       |        |           |
|-------|--------|-----------|
| SCALE | WEIGHT | SHEET 1/1 |
|-------|--------|-----------|